

# Martin® F-Series and MFD-Series Vibrators for Round Separators



## **F-Series**

Single-flanged vertical electric vibrators for 24" and 30" separators.

## **MFD-Series**

Double-flanged vertical electric vibrators for 48" and 60" separators.

Founded in 1944 on vibration technologies, Martin has a long history of producing high quality, innovative products that make bulk material handling cleaner, safer and more productive.

With the experience and expertise to produce and manufacture vibration products of the highest quality, all backed by our *Absolutely No Excuses Guarantee*, Martin is the clear choice in electric vibrators for all industrial and OEM vibration applications.

Martin offers a comprehensive and expansive selection of vibration products—all designed, engineered and manufactured in the USA and by other Martin companies worldwide.\*

\* Price and delivery subject to country of origin.

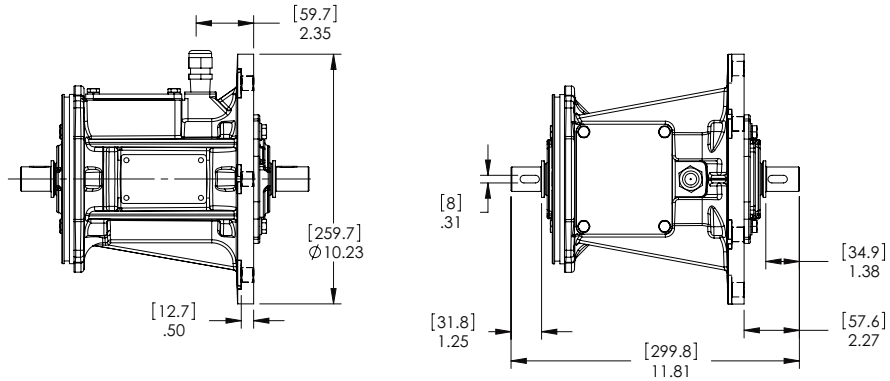
Martin Engineering F-Series and MFD-Series vibrators are typically used in medium and large sieves and circular screens. They are rated at 1/3, 1/2, and 2 1/2 hp and are capable of producing forces up to 10,000 lbs.

- **Unsurpassed 3-Year Warranty**
- **Local Tech Support & Service**
- **Delivery from Domestic Stock**
- **Inverter-Duty Rated**
- **Available in any Electrical Rating**
- **Manufactured in USA!**

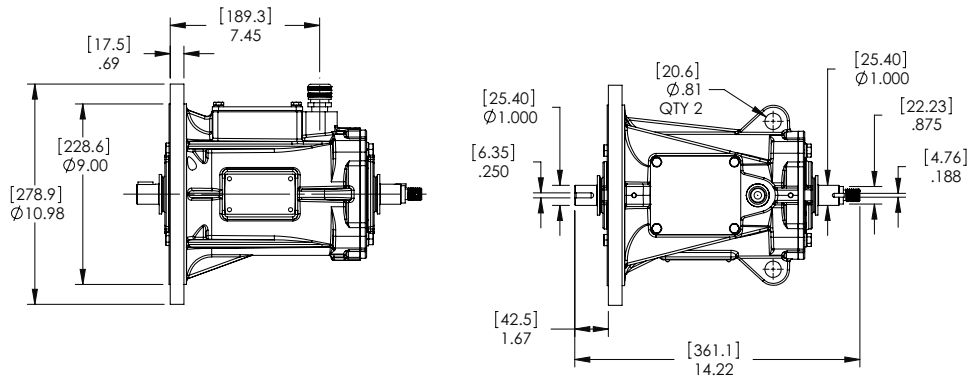
# TECHNICAL DATA SHEET

Model	Frame	RPM	Centrifugal Force	Weight	Power Output	Max. Current
			lbs	lbs	Horsepower	Amps
			60 Hz	60 Hz	60 Hz	60 Hz/460V
F3-24	1A	1200	0-1000	36	1/3	1.0
F3-30	2A	1200	0-2000	47	1/2	1.3
MFD12-2510	70	1200	0-10,000	150	2 1/2	3.8

## F3-24



## F3-30



## MFD12-2510

